

CONTRACTOR MUST CHECK AND VERIFY ALL DIMENSIONS ON THE JOB.  
 DO NOT SCALE DRAWINGS.  
 ALL DIMENSIONS, INCLUDING DIMENSIONS AND RELATED DOCUMENTS ARE THE COPYRIGHT PROPERTY OF THE ENGINEER AND MUST BE REPRODUCED OR REPRODUCED IN WHOLE OR IN PART WITHOUT THE WRITTEN PERMISSION OF THE ENGINEER.  
 THIS DRAWING IS NOT TO BE USED FOR CONSTRUCTION UNLESS SIGNED BY THE ENGINEER.

ISSUED

NO.	DATE	DESCRIPTION

LEGENDS

REVISIONS

ENGINEERING FIRM NAME  
 ENGINEERING FIRM ADDRESS

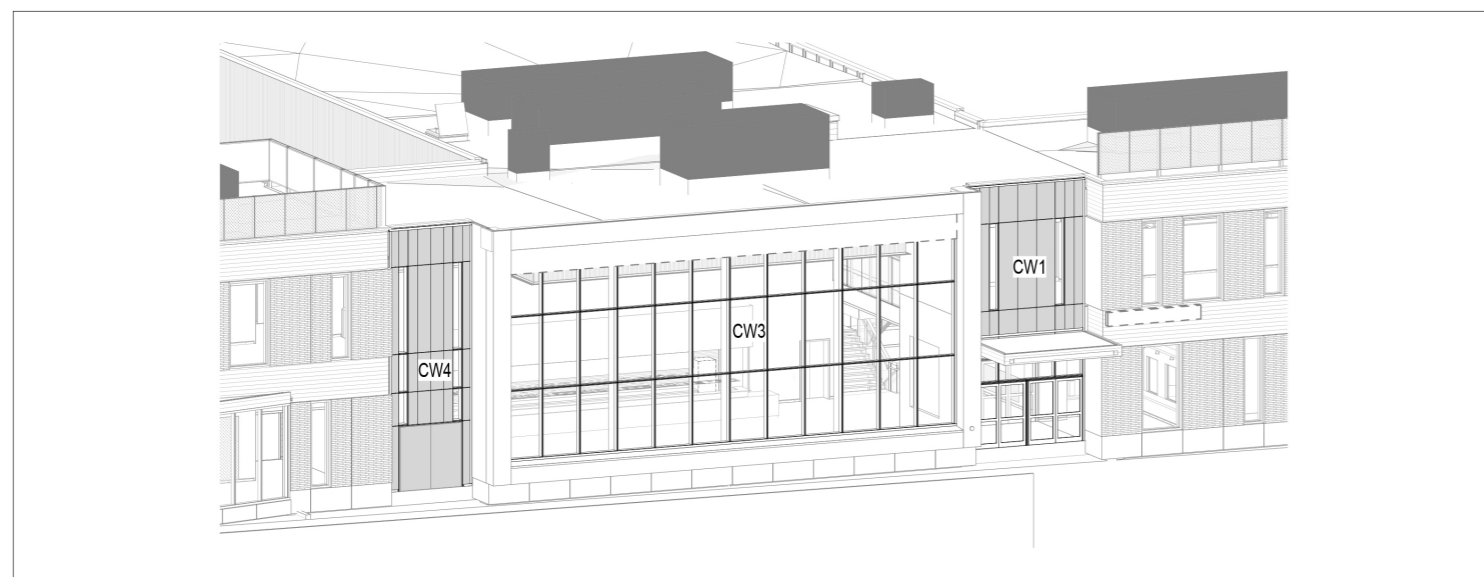
ENGINEER'S SIGNATURE

PROJECT NAME  
 PROJECT ADDRESS

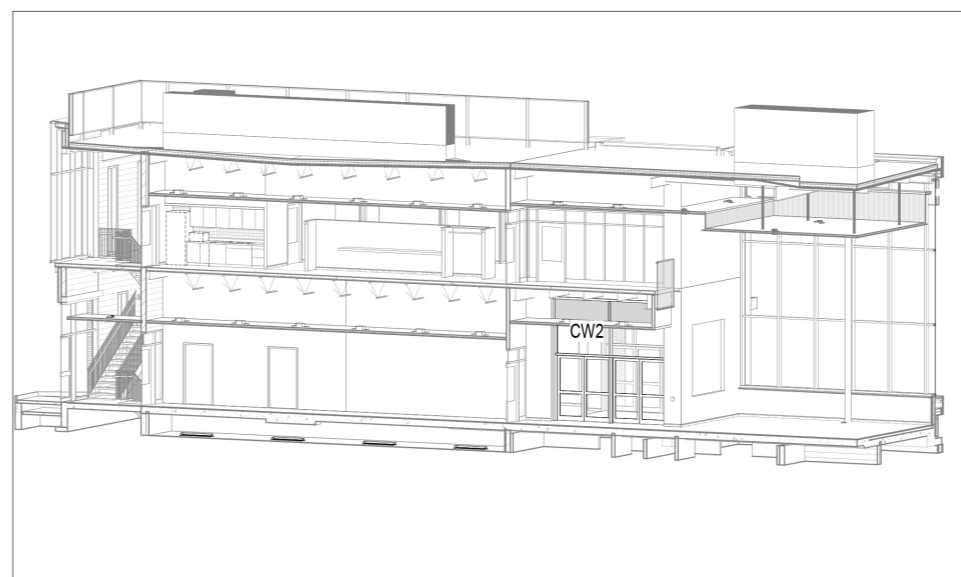
SHEET NAME

SCALE  
 PROJECT NUMBER  
 DATE

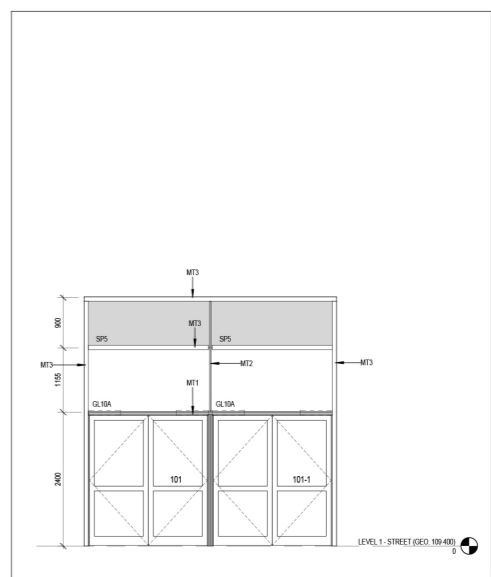
SHEET NUMBER



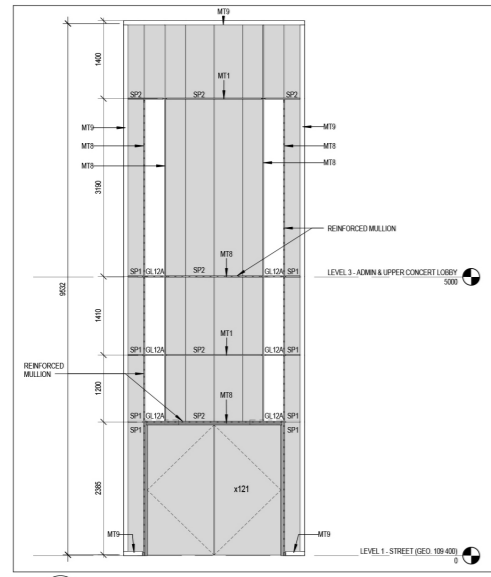
24 3D VIEW OF GLAZING CW1-CW3-CW4  
 A353



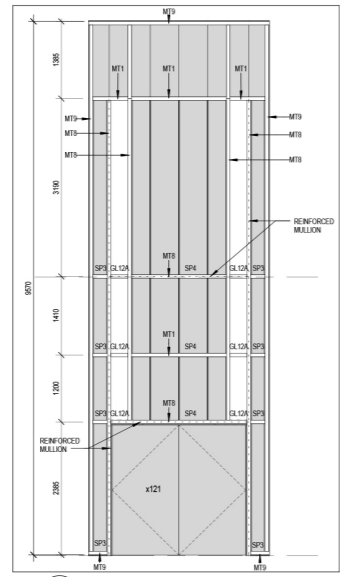
21 3D VIEW OF GLAZING CW2  
 A353



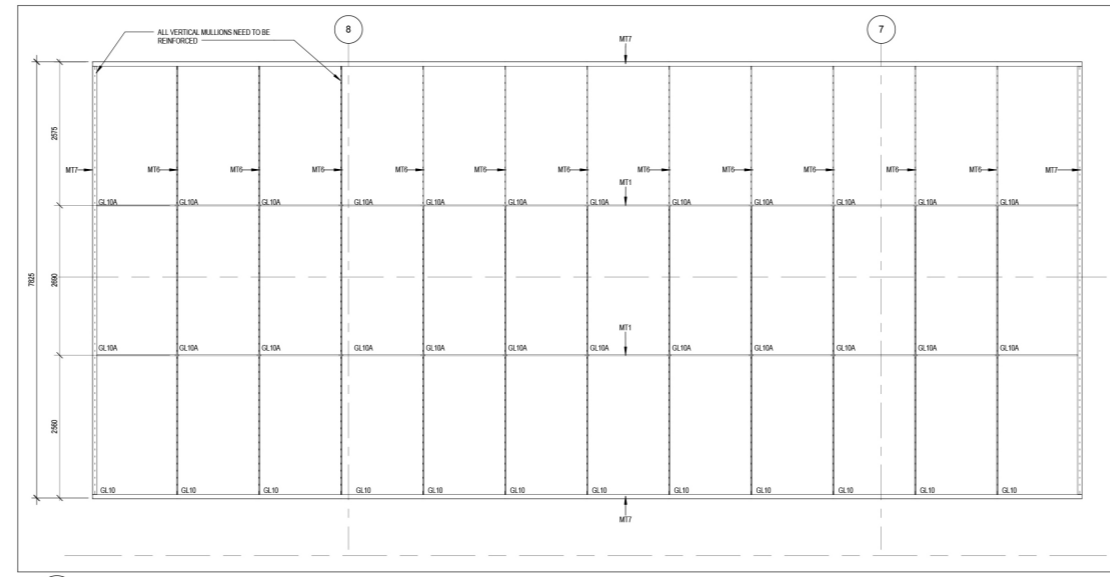
19 CURTAIN WALL CW2  
 A353 1:50



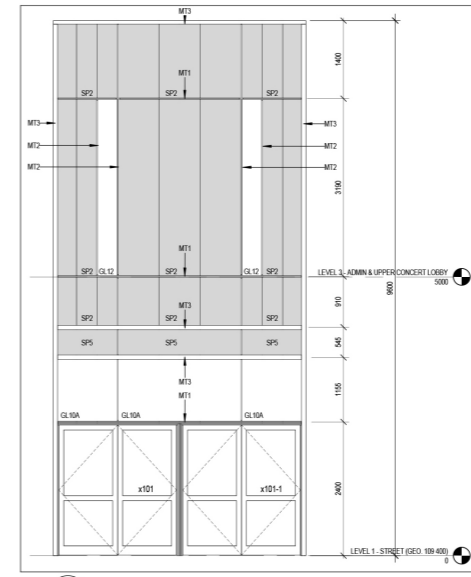
18 CURTAIN WALL CW4  
 A353 1:50



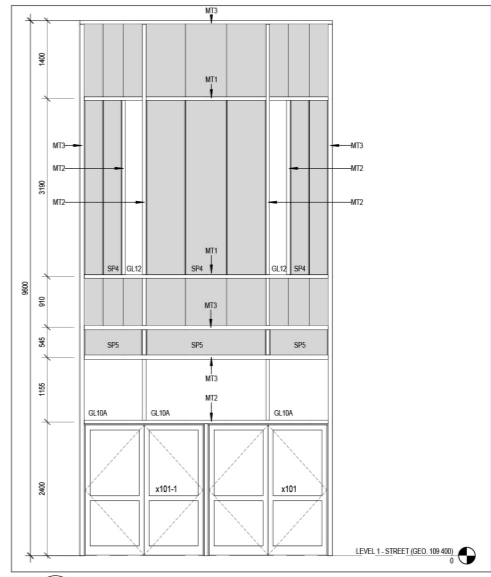
11 CURTAIN WALL CW4 - INTERIOR ELEVATION  
 A353 1:50



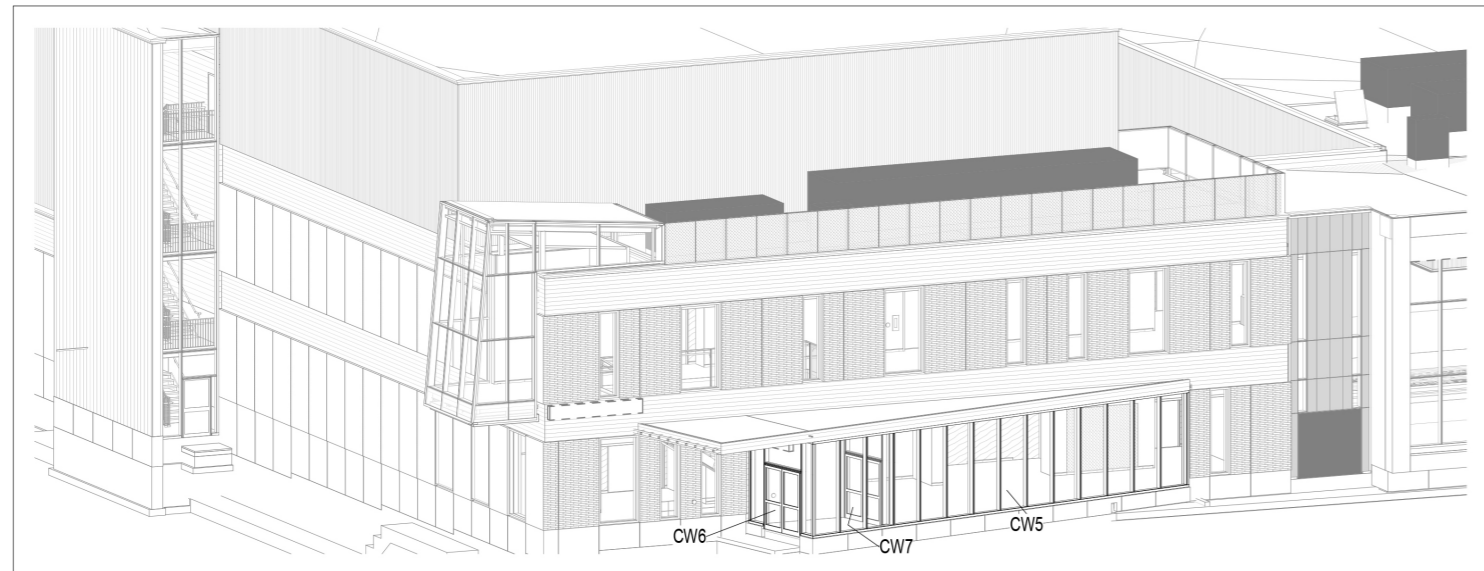
16 CURTAIN WALL CW3  
 A353 1:50



14 CURTAIN WALL CW1  
 A353 1:50



12 CURTAIN WALL CW1 - INTERIOR ELEVATION  
 A353 1:50



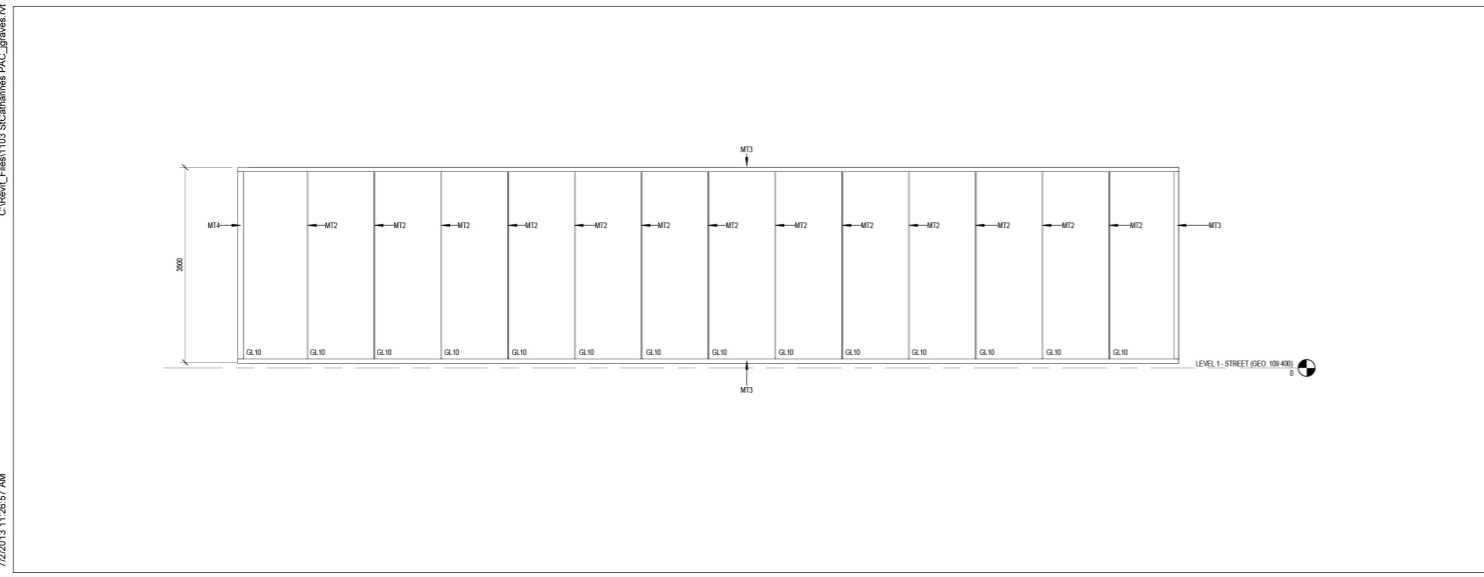
12 3D VIEW OF GLAZING CW5-CW6-CW7  
 A353



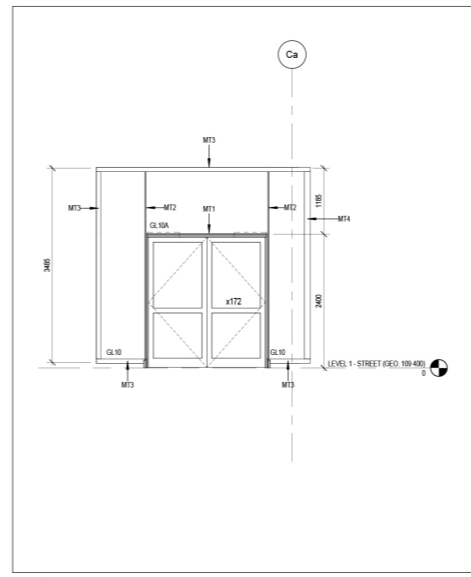
9 3D VIEW OF GLAZING CW6  
 A353



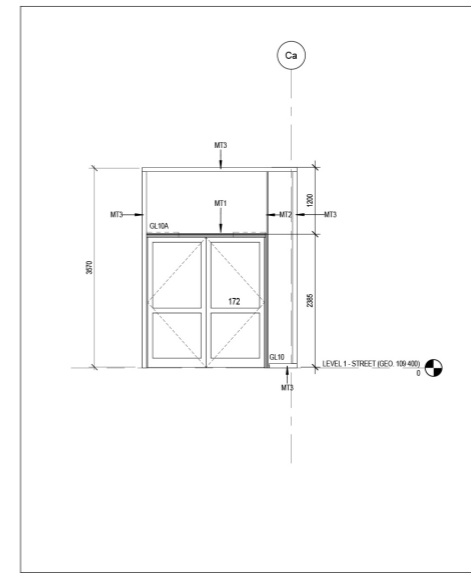
7 3D VIEW OF GLAZING CW7  
 A353



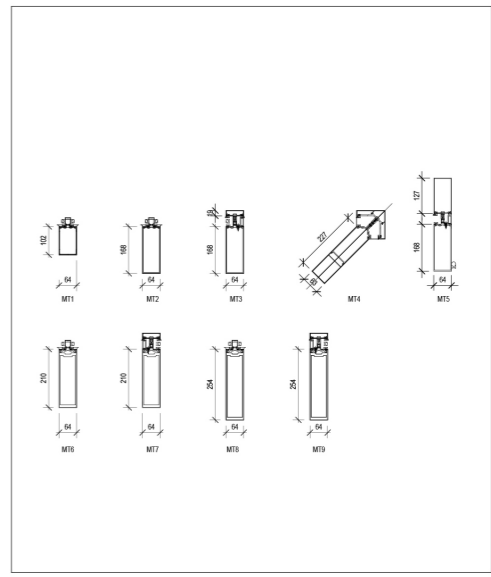
8 CURTAIN WALL CW5  
 A353 1:50



3 CURTAIN WALL CW6  
 A353 1:50



2 CURTAIN WALL CW7  
 A353 1:50



1 MULLION TYPES  
 A353 1:10

C:\Revit\Floor\103\BCH\BCH.dwg  
 7/20/2013 11:28:07 AM