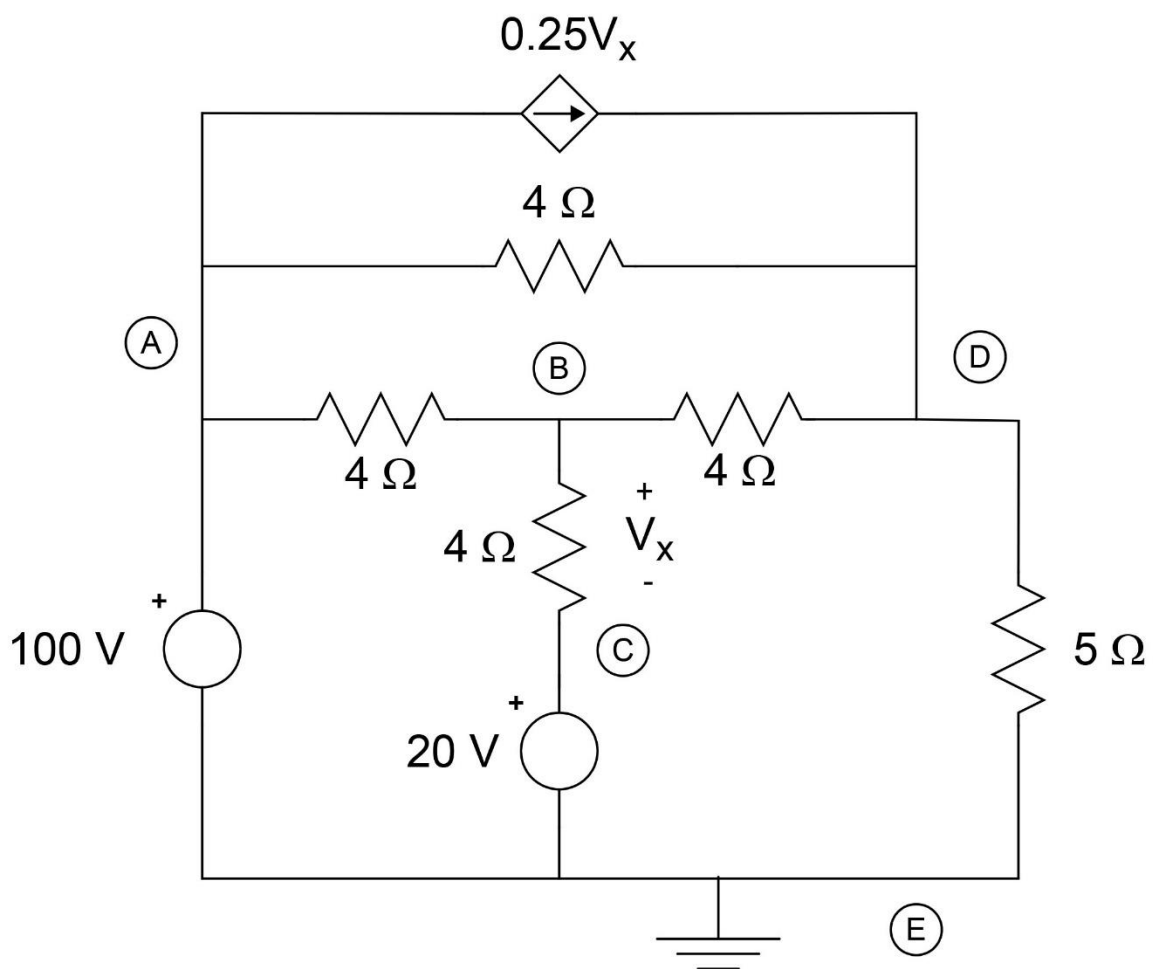


Quizzes for Module 8

Unit 8.1.5

Q 8.1.5.1: For the circuit shown below use Nodal Analysis to solve for the nodal voltages  $V_A$ ,  $V_B$ ,  $V_C$  and  $V_D$ .



Solution: (Self Assessment)  $V_A = 100$  V,  $V_B = 65$  V,  $V_C = 20$  V and  $V_D = 75$  V.



